

銀科工業的承諾

產品售後服務



所有經銀科工業售出的產品均享有一年產品質量保證，以及14天內退換保證（以出貨日期為準）

如在正常使用和正確安裝的情況下出現損壞，我們定會為您提供免費換貨

香港總公司:

銀科工業(香港)有限公司
香港荃灣沙咀道66A號豪力中心2108室
電話: (852) 2499 9168
傳真: (852) 2417 9183 8343 6887
電郵: sales@silvertech.com.hk
網址: www.silvertech.com.hk

Hong Kong Headquarters: (For Import & Export Sales)

Silvertech Industrial (H.K.) Ltd.
Rm.2108, Ho Lik Centre, 66A Sha Tsui Road, Tsuen Wan, Hong Kong.
Tel: (852) 2499 9168
Fax: (852) 2417 9183 8343 6887
Email: sales@silvertech.com.hk
Web Site: www.silvertech.com.hk

東莞分公司:

東莞動力銀科工業配件有限公司
東莞市塘廈鎮橋龍大道23號銀科大樓
電話: (86-769) 8798 1699 8798 2699
8625 2718 (10綫)
傳真: (86-769) 8798 1313 8625 2719
電郵: dgoffice@silvertech.com.hk

China Guangdong Branch Office: (For Domestic Sales)

Silvertech Industrial (Dong Guan) Ltd.
Silvertech Building, 23 Qiao Long Road, Tangxia, Dongguan, Guangdong, China.
Tel: (86-769) 8798 1699 8798 2699
8625 2718 (10Lines)
Fax: (86-769) 8798 1313 8625 2719
Email: dgoffice@silvertech.com.hk

青島辦事處:

青島市市南區寧夏路268號商務樓B413室
電話: (86-532) 8575 5305
傳真: (86-532) 8571 5015
電郵: qdoffice@silvertech.com.hk

China Qingdao Sales Office: (For Domestic Sales)

Rm.B413, No. 268, Ningxia Road, Qingdao, Shandong, China
Tel: (86-532) 8575 5305
Fax: (86-532) 8571 5015
Email: qdoffice@silvertech.com.hk

深圳工廠:

銀錕德傳動件制造(深圳)有限公司

China Shen Zhen Factory:

Madler-Silvertech Power Transmission Components (Shen Zhen) Ltd.

成都工廠:

成都銀科同步帶輪制造有限公司

China Cheng Du Factory:

Cheng Du Silvertech Timing Pulleys Manufacturing Ltd.

常州工廠:

常州銀科傳動件有限公司

China Chang Zhou Factory:

Chang Zhou Silvertech Power Transmission Products Ltd.

服務投訴電話: (852) 2499 9168、(86) 138 2697 1737

SILVERTECH

www.silvertech.com.hk

專業製造

SILVERTECH 銀科工業



STI 高品質傳動件 High Quality Power Transmission Products

www.silvertech.com.hk

選銀科工業 • 做最好機械
Your 1st choice for Industrial Products



公司簡介

銀科工業(香港)有限公司 – 成立於1992年，總部位於香港，分公司和工廠設於中國內地。公司的主要業務及經營範圍：生產 **STI** 品牌屬下的高質量工業傳動零部件，出口外銷至歐美及其它世界各國，同時也內銷至大中華地區。此外，我們還進口德國、瑞士、意大利、美國、日本和台灣等國家和地區的高科技工業產品，並且是這些世界級著名品牌的大中華區域總代理。

累積近乎二十年服務海外和大中華客戶的經驗，我們不斷的總結、不斷發展、不斷進步，因此而奠下了堅實的基礎，在海內外業界均享有優良的聲譽和知名度。銀科工業無論由：原材料採購 – 生產管理 – 質量控制 – 倉存量控制 – 銷售方式 – 技術支援 – 包裝付運 – 跟蹤到貨 – 售後服務等等，每一環節都務求做到盡善盡美，因為我們切身體會只有得到客戶的信賴才是公司發展的最大希望！

在系統化的在職培訓再加上員工對公司的歸屬感，大家分別工作於香港、東莞、深圳、青島、成都和常州，今天的銀科工業已擁有一支非常專業且盡責的團隊，為國內外工業界提供優質產品，為貼近客戶而盡我們所能！

“選銀科工業 做最好機械” 這不僅是我們的承諾，更是對客戶的責任。

About us

Silvertech Industrial (HK) Ltd was established in 1992, with its headquarter in Hong Kong, and branches as well as factories in mainland China. Our business focuses on the production of high quality power transmission parts under the brand **STI**.

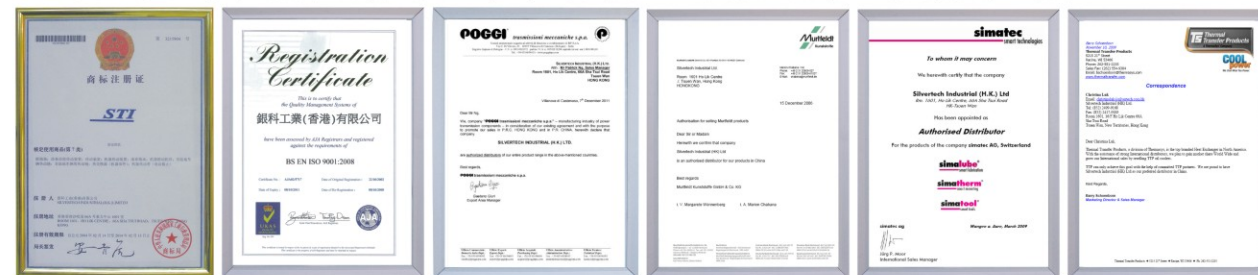
Our products are very popular in the global markets, such as Europe, North American, and Greater China Area. In addition, we are the exclusive dealer in the Greater China Area for a few world-renowned high tech industrial products from Germany, Switzerland, Italy, USA, Japan and Taiwan.

We are growing stronger with almost twenty years experience of serving clients in overseas and Greater China Area. Silvertech Industrial has well developed world reputation and brand loyalty. We arm to provide perfection in our value net, such as procurement of material, production management, quality control, stock and storage, marketing, technical support, logistics, and after sale service. It is our ultimate goal to maintain the trust from our clients and continue with sustainable growth.

Our company engages in systemic on the job training and invests in corporate human resource. We have developed an extremely competent and dedicated team working in Hong Kong, Dongguan, Shenzhen, Qingdao, Chengdu, and Changzhou. We are known as the company providing the best products and service for our customers.

Our promise: **Silvertech – Your 1st choice for Industrial Products**
We take this promise as our responsibility.

公司秉承“准時、準確、高質量為客戶服務”即二准一高的質量方針，將不斷總結和提高對客戶服務的質量。

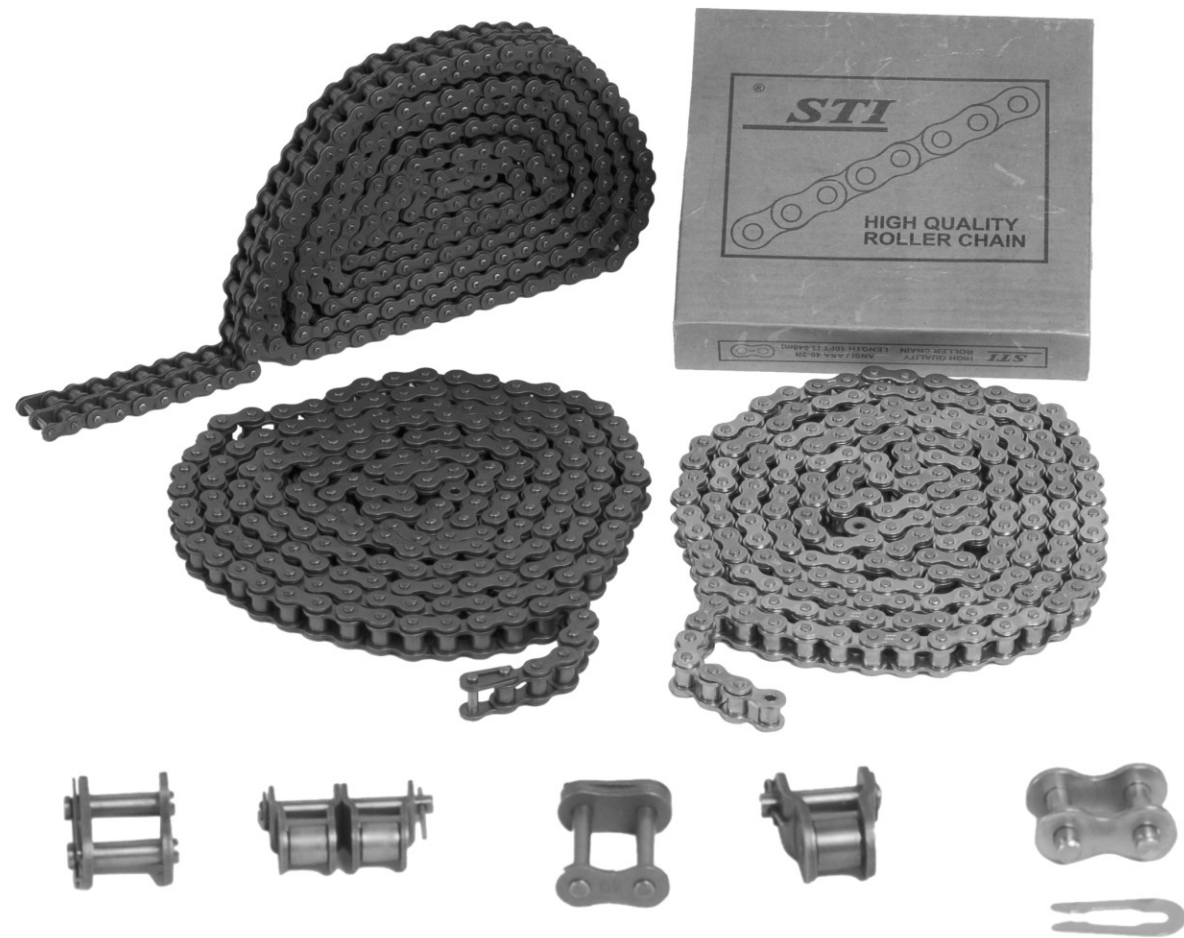


目錄 Directory

聯軸器系列	COUPLING	001-010
鏈條系列	ROLLER CHAIN	011-027
鏈輪系列	SPROCKET	028-047
同步帶輪系列	TIMING BELT PULLEY	048-092
正齒輪系列	SPUR GEAR	093-104
軸套卡圈系列	SHAFT COLLAR	105-107
錐套系列	TAPER BUSH	108-110
脹緊連接套系列	LOCKING ASSEMBLY	111-165

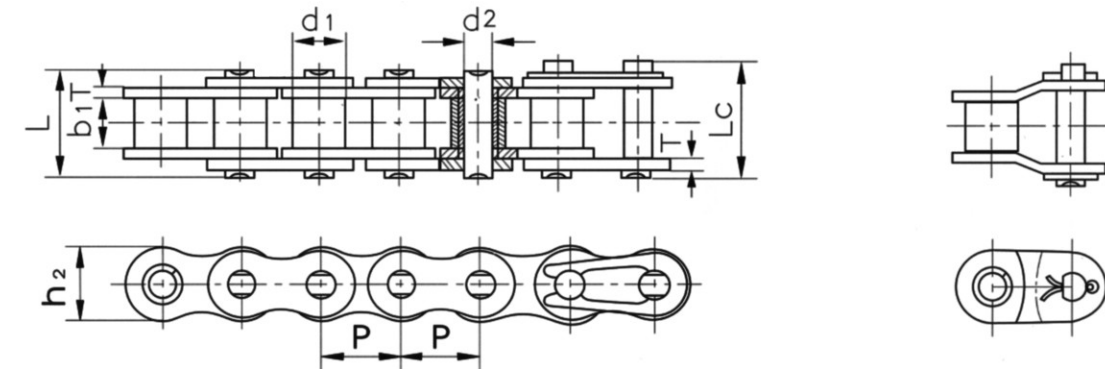
STI 高品質鏈條系列
HIGH QUALITY ROLLER CHAIN

鏈條系列 ROLLER CHAIN



A系列短節距精密滾子鏈 Short pitch precision roller chains(A series)

單排滾子鏈 套筒鏈
Simplex roller chains
& bushing chains



鏈條系列 ROLLER CHAIN

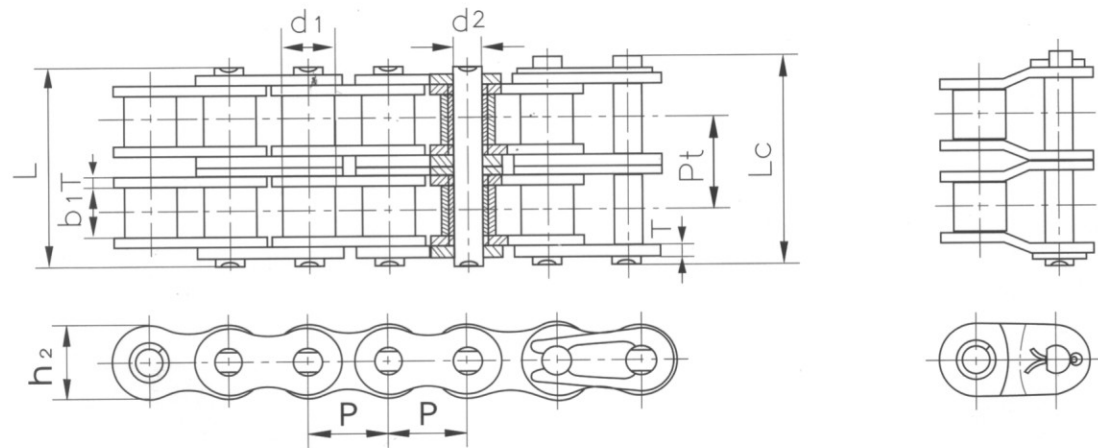
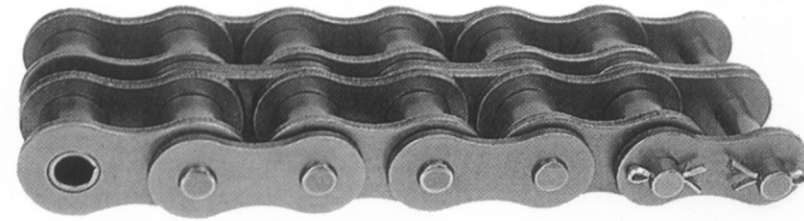
DIN ISO 鏈號	ANSI 鏈號	節距 Pitch	滾子直徑 Roller diameter	內節內寬 Width between inner plates	銷軸直徑 Pin diameter	銷軸長度 Pin length		內鏈板高度 Inner plate depth	鏈板厚度 Plate thickness	平均拉伸荷 Average tensile strength	極限拉伸荷 Ultimate tensile strength	每米長重 Weight per meter
DIN ISO Chain No.	ANSI Chain No.	P	d ₁ max	b ₁ min	d ₂ max	L max	L _c max	h ₂ max	T max	Q min	Q ₀	q
		mm	mm	mm	mm	mm	mm	mm	mm	kN	kN	kg/m
*03C	*15	4.7625	2.48	2.38	1.62	6.10	6.90	4.30	0.60	1.80	2.0	0.08
*04C-1	*25	6.350	3.30	3.18	2.31	7.90	8.40	6.00	0.80	3.50	4.6	0.15
*06C-1	*35	9.525	5.08	4.77	3.58	12.40	13.17	9.00	1.30	7.90	10.8	0.33
085-1	41	12.700	7.77	6.25	3.58	13.75	15.00	9.91	1.30	6.67	12.6	0.41
08A-1	40	12.700	7.95	7.85	3.96	16.60	17.80	12.00	1.50	14.10	17.5	0.62
10A-1	50	15.875	10.16	9.40	5.08	20.70	22.20	15.09	2.03	22.20	29.4	1.02
12A-1	60	19.050	11.91	12.57	5.94	25.90	27.70	18.00	2.42	31.80	41.5	1.50
16A-1	80	25.400	15.88	15.75	7.92	32.70	35.00	24.00	3.25	56.70	69.4	2.60
20A-1	100	31.750	19.05	18.90	9.53	40.40	44.70	30.00	4.00	88.50	109.2	3.91
24A-1	120	38.100	22.23	25.22	11.10	50.30	54.30	35.70	4.80	127.00	156.3	5.62
28A-1	140	44.450	25.40	25.22	12.70	54.40	59.00	41.00	5.60	172.40	212.0	7.50
32A-1	160	50.800	28.58	31.55	14.27	64.80	69.60	47.80	6.40	226.80	278.9	10.10
36A-1	180	57.150	35.71	35.48	17.46	72.80	78.60	53.60	7.20	280.20	341.8	13.45
40A-1	200	63.500	39.68	37.85	19.85	80.30	87.20	60.00	8.00	353.80	431.6	16.15
48A-1	240	76.200	47.63	47.35	23.81	95.50	103.00	72.39	9.50	510.30	622.5	23.20

*套筒鏈: 表中滾子直徑d₁為套筒直徑。

*Bushing chain: d₁ in the table indicate the external diameter of the bushing.

A系列短節距精密滾子鏈 Short pitch precision roller chains(A series)

雙排滾子鏈 套筒鏈
Duplex roller chains & bushing chains

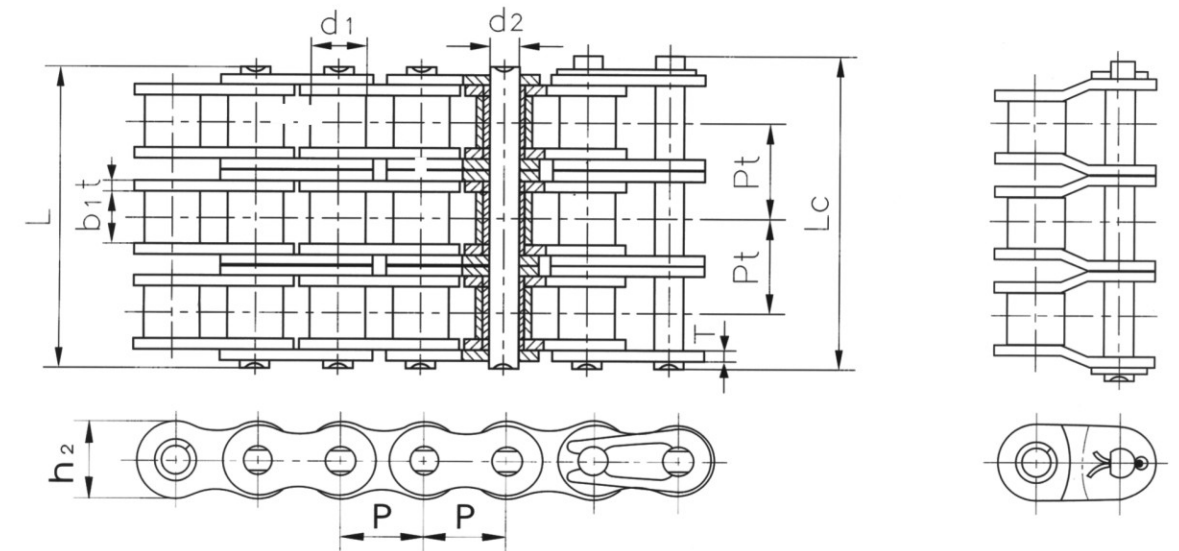
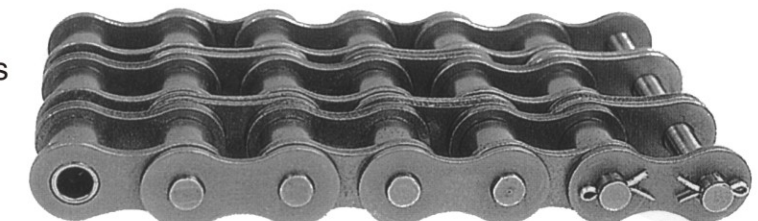


DIN ISO 鏈號 DIN ISO Chain No.	ANSI 鏈號 ANSI Chain No.	節距 Pitch P	滾子直徑 Roller diameter d ₁ max	內節內寬 Width between inner plates b ₁ min	銷軸直徑 Pin diameter d ₂ max	銷軸長度 Pin length		內鏈板高度 Inner plate depth h ₂ max	鏈板厚度 Plate thickness T max	排距 Transverse pitch P _t	平均拉伸載荷 Average tensile strength Q _{min}	極限拉伸載荷 Ultimate tensile strength Q ₀	每米長重 Weight per meter q
						L max	L _c max						
						mm	mm						
*04C-2	*25-2	6.350	3.30	3.18	2.31	14.50	15.00	6.00	0.80	6.40	7.00	8.6	0.28
*06C-2	*35-2	9.525	5.08	4.77	3.58	22.50	23.30	9.00	1.30	10.13	15.80	19.7	0.63
085-2	41-2	12.700	7.77	6.25	3.58	25.70	26.90	9.91	1.30	11.95	13.34	16.9	0.81
08A-2	40-2	12.700	7.95	7.85	3.96	31.00	32.20	12.00	1.50	14.38	28.20	35.9	1.12
10A-2	50-2	15.875	10.16	9.40	5.08	38.90	40.40	15.09	2.03	18.11	44.40	58.1	2.00
12A-2	60-2	19.050	11.91	12.57	5.94	48.80	50.50	18.00	2.42	22.78	63.60	82.1	2.92
16A-2	80-2	25.400	15.88	15.75	7.92	62.70	64.30	24.00	3.25	29.29	113.40	141.8	5.15
20A-2	100-2	31.750	19.05	18.90	9.53	76.40	80.50	30.00	4.00	35.76	177.00	219.4	7.80
24A-2	120-2	38.100	22.23	25.22	11.10	95.80	99.70	35.70	4.80	45.44	254.00	314.9	11.70
28A-2	140-2	44.450	25.40	25.22	12.70	103.30	107.90	41.00	5.60	48.87	344.80	427.5	15.14
32A-2	160-2	50.800	28.58	31.55	14.27	123.30	128.10	47.80	6.40	58.55	453.60	562.4	20.14
36A-2	180-2	57.150	35.71	35.48	17.46	138.60	144.40	53.60	7.20	65.84	560.50	695.0	29.22
40A-2	200-2	63.500	39.68	37.85	19.85	151.90	158.80	60.00	8.00	71.55	707.60	877.4	32.24
48A-2	240-2	76.200	47.63	47.35	23.81	183.40	190.80	72.39	9.50	87.83	1020.60	1255.3	45.23

*套筒鏈: 表中滾子直徑d₁為套筒直徑。
*Bushing chain: d₁ in the table indicate the external diameter of the bushing.

A系列短節距精密滾子鏈 Short pitch precision roller chains(A series)

三排滾子鏈 套筒鏈
Triplex roller chains & bushing chains



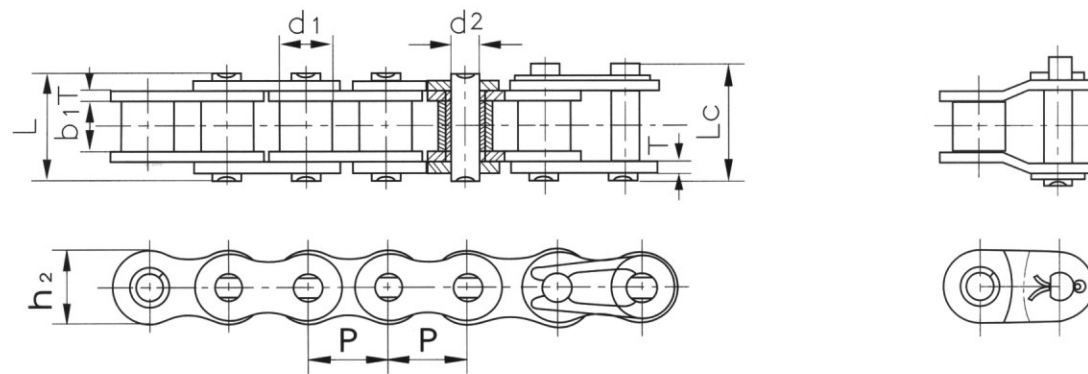
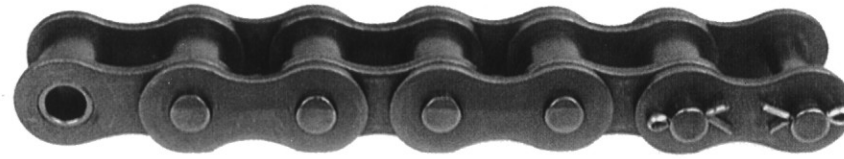
DIN ISO 鏈號 DIN ISO Chain No.	ANSI 鏈號 ANSI Chain No.	節距 Pitch P	滾子直徑 Roller diameter d ₁ max	內節內寬 Width between inner plates b ₁ min	銷軸直徑 Pin diameter d ₂ max	銷軸長度 Pin length		內鏈板高度 Inner plate depth h ₂ max	鏈板厚度 Plate thickness T max	排距 Transverse pitch P _t	平均拉伸載荷 Average tensile strength Q _{min}	極限拉伸載荷 Ultimate tensile strength Q ₀	每米長重 Weight per meter q
						L max	L _c max						
						mm	mm						
*04C-3	*25-3	6.350	3.30	3.18	2.31	21.00	21.50	6.00	0.80	6.40	10.5	12.6	0.44
*06C-3	*35-3	9.525	5.08	4.77	3.58	32.70	33.50	9.00	1.30	10.13	23.7	28.6	1.05
08A-3	40-3	12.700	7.95	7.85	3.96	45.40	46.60	12.00	1.50	14.38	42.3	50.0	1.90
10A-3	50-3	15.875	10.16	9.40	5.08	57.00	58.50	15.09	2.03	18.11	66.6	77.8	3.09
12A-3	60-3	19.050	11.91	12.57	5.94	71.50	73.30	18.00	2.42	22.78	95.4	111.1	4.54
16A-3	80-3	25.400	15.88	15.75	7.92	91.70	93.60	24.00	3.25	29.29	170.1	198.4	7.89
20A-3	100-3	31.750	19.05	18.90	9.53	112.20	116.30	30.00	4.00	35.76	265.5	309.6	11.77
24A-3	120-3	38.100	22.23	25.22	11.10	141.40	145.2	35.70	4.80	45.44	381.0	437.2	17.53
28A-3	140-3	44.450	25.40	25.22	12.70	152.20	156.80	41.00	5.60	48.87	517.2	593.3	22.20
32A-3	160-3	50.800	28.58	31.55	14.27	181.80	186.60	47.80	6.40	58.55	680.4	780.6	30.02
36A-3	180-3	57.150	35.71	35.48	17.46	204.40	210.20	53.60	7.20	65.84	840.7	983.6	38.22
40A-3	200-3	63.500	39.68	37.85	19.85	223.50	230.40	60.00	8.00	71.55	1061.4	1217.8	49.03
48A-3	240-3	76.200	47.63	47.35	23.81	271.30	278.60	72.39	9.50	87.83	1530.9	1756.5	71.60

*套筒鏈: 表中滾子直徑d₁為套筒直徑。
*Bushing chain: d₁ in the table indicate the external diameter of the bushing.

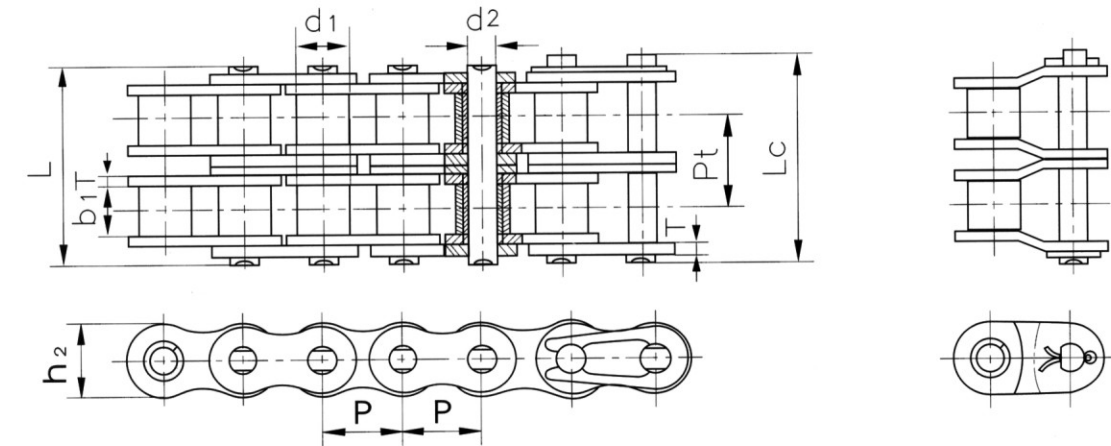
B系列短節距精密滾子鏈 Short pitch precision roller chains(B series)

B系列短節距精密滾子鏈 Short pitch precision roller chains(B series)

單排滾子鏈
Simplex roller chains



雙排滾子鏈
Duplex roller chains



DIN ISO 鏈號 DIN ISO Chain No.	節距 Pitch	滾子直徑 Roller diameter	內節內寬 Width between inner plates	銷軸直徑 Pin diameter	銷軸長度 Pin length		內鏈板高度 Inner plate depth	鏈板厚度 Plate thickness	平均拉伸載荷 Average tensile strength	極限拉伸載荷 Ultimate tensile strength	每米長重 Weight per meter
					L max	Lc max					
	P	d ₁ max	b ₁ min	d ₂ max	L max	Lc max	h ₂ max	t/T max	Q min	Q ₀	q
	mm	mm	mm	mm	mm	mm	mm	mm	kN	kN	kg/m
04B-1	6.000	4.00	2.80	1.85	6.80	7.8	5.00	0.60	3.00	3.2	0.11
05B-1	8.000	5.00	3.00	2.31	8.20	8.9	7.10	0.80	5.00	5.9	0.20
*06B-1	9.525	6.35	5.72	3.28	13.15	14.1	8.20	1.30	9.00	10.4	0.41
08B-1	12.700	8.51	7.75	4.45	16.70	18.2	11.80	1.60	18.00	19.4	0.69
10B-1	15.875	10.16	9.65	5.08	19.50	20.9	14.70	1.70	22.40	27.5	0.93
12B-1	19.050	12.07	11.68	5.72	22.50	24.2	16.00	1.85	29.00	32.2	1.15
16B-1	25.400	15.88	17.02	8.28	36.10	37.4	21.00	4.15/3.1	60.00	72.8	2.71
20B-1	31.750	19.05	19.56	10.19	41.30	45.0	26.40	4.5/3.5	95.00	106.7	3.70
24B-1	38.100	25.40	25.40	14.63	53.40	57.8	33.20	6.0/4.8	160.00	178.0	7.10
28B-1	44.450	27.94	30.99	15.90	65.10	69.5	36.70	7.5/6.0	200.00	222.0	8.50
32B-1	50.800	29.21	30.99	17.81	66.00	71.0	42.00	7.0/6.0	250.00	277.5	10.25
40B-1	63.500	39.37	38.10	22.89	82.20	89.2	52.96	8.5/8.0	355.00	394.0	16.35
48B-1	76.200	48.26	45.72	29.24	99.10	107.0	63.80	12/10	560.00	621.6	25.00

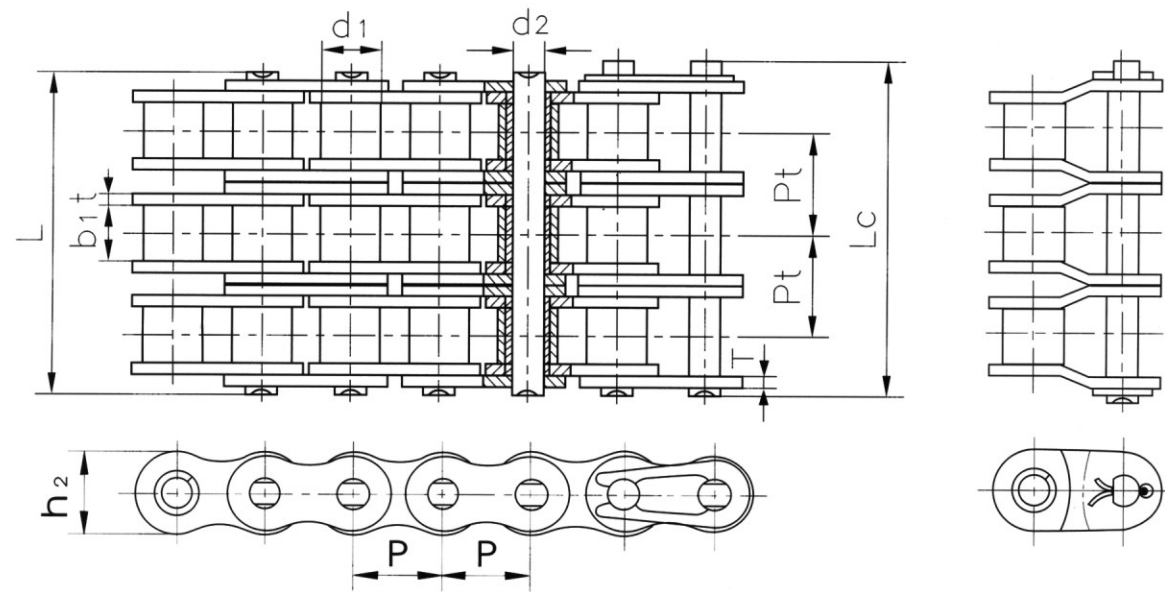
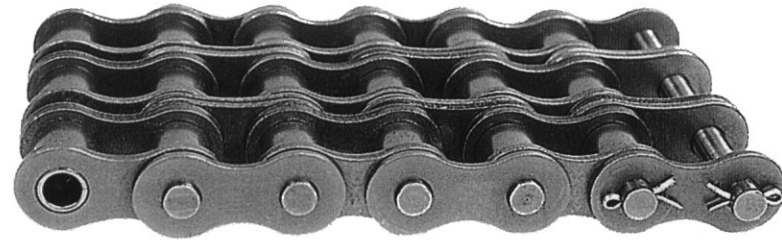
*直鏈板
*Straight side plates

DIN ISO 鏈號 DIN ISO Chain No.	節距 Pitch	滾子直徑 Roller diameter	內節內寬 Width between inner plates	銷軸直徑 Pin diameter	銷軸長度 Pin length		內鏈板高度 Inner plate depth	鏈板厚度 Plate thickness	排距 Transverse pitch	平均拉伸載荷 Average tensile strength	極限拉伸載荷 Ultimate tensile strength	每米長重 Weight per meter
					L max	Lc max						
	P	d ₁ max	b ₁ min	d ₂ max	L max	Lc max	h ₂ max	t/T max	P _t	Q min	Q ₀	q
	mm	mm	mm	mm	mm	mm	mm	mm	mm	kN	kN	kg/m
05B-2	8.000	5.00	3.00	2.31	13.9	14.5	7.10	0.80	5.64	7.80	10.2	0.33
*06B-2	9.525	6.35	5.72	3.28	23.4	24.4	8.20	1.30	10.24	16.90	18.7	0.77
08B-2	12.700	8.51	7.75	4.45	31.2	32.2	11.80	1.60	13.92	32.00	38.7	1.34
10B-2	15.875	10.16	9.65	5.08	36.1	37.5	14.70	1.70	16.59	44.50	56.2	1.84
12B-2	19.050	12.07	11.68	5.72	42.0	43.6	16.00	1.85	19.46	57.80	66.1	2.31
16B-2	25.400	15.88	17.02	8.28	68.0	69.3	21.00	4.15/3.1	31.88	106.00	133.0	5.42
20B-2	31.750	19.05	19.56	10.19	77.8	81.5	26.40	4.5/3.5	36.45	170.00	211.2	7.20
24B-2	38.100	25.40	25.40	14.63	101.7	106.2	33.20	6.0/4.8	48.36	280.00	319.2	13.40
28B-2	44.450	27.94	30.99	15.90	124.6	129.1	36.70	7.5/6.0	59.56	360.00	406.8	16.60
32B-2	50.800	29.21	30.99	17.81	124.6	129.6	42.00	7.0/6.0	58.55	450.00	508.5	21.00
40B-2	63.500	39.37	38.10	22.89	154.5	161.5	52.96	8.5/8.0	72.29	630.00	711.9	32.00
48B-2	76.200	48.26	45.72	29.24	190.4	198.2	63.80	12/10	91.21	1000.00	1130.0	50.00

*直鏈板
*Straight side plates

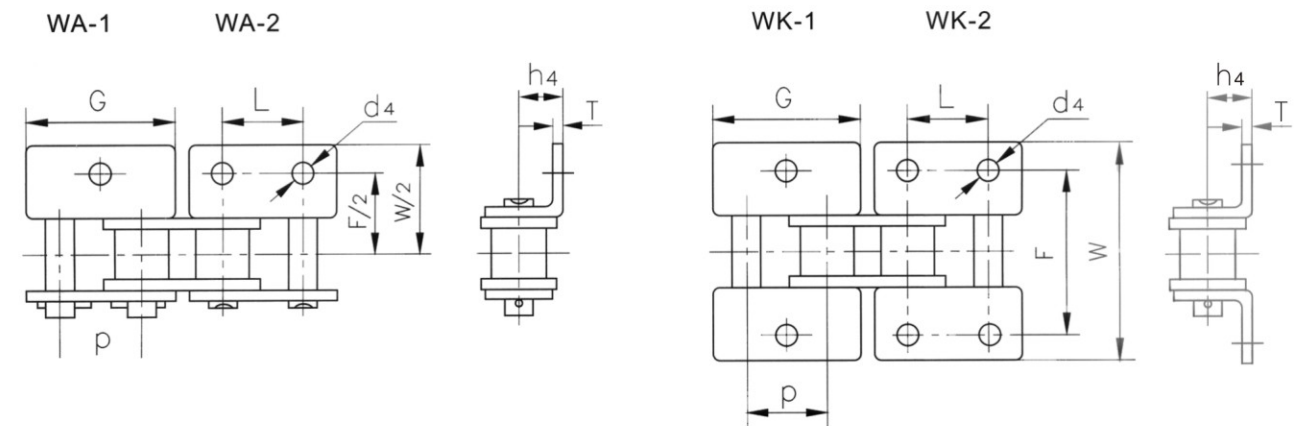
B系列短節距精密滾子鏈 Short pitch precision roller chains(B series)

三排滾子鏈
Triplex roller chains



短節距輸送鏈附件 Short pitch conveyor chain attachments

Short pitch conveyor chain attachments



DIN ISO 鏈號 DIN ISO Chain No.	節距 Pitch	滾子直徑 Roller diameter	內節內寬 Width between inner plates	銷軸直徑 Pin diameter	銷軸長度 Pin length		內鏈板高度 Inner plate depth	鏈板厚度 Plate thick- ness	排距 Transverse pitch	平均拉伸載荷 Average tensile strength	極限拉伸載荷 Ultimate tensile strength	每米長重 Weight per meter
					L max	Lc max						
	P	d ₁ max	b ₁ min	d ₂ max	L max	L _c max	h ₂ max	t/T max	P _t	Q min	Q ₀	q
	mm	mm	mm	mm	mm	mm	mm	mm	mm	kN	kN	kg/m
05B-3	8.000	5.00	3.00	2.31	19.5	20.2	7.10	0.80	5.64	11.1	13.8	0.48
*06B-3	9.525	6.35	5.72	3.28	33.5	34.6	8.20	1.30	10.24	24.9	30.1	1.16
08B-3	12.700	8.51	7.75	4.45	45.1	46.1	11.80	1.60	13.92	47.5	57.8	2.03
10B-3	15.875	10.16	9.65	5.08	52.7	54.1	14.70	1.70	16.59	66.7	84.5	2.77
12B-3	19.050	12.07	11.68	5.72	61.5	63.1	16.00	1.85	19.46	86.7	101.8	3.46
16B-3	25.400	15.88	17.02	8.28	99.8	101.2	21.00	4.15/3.1	31.88	160.0	203.7	8.13
20B-3	31.750	19.05	19.56	10.19	114.2	117.9	26.40	4.5/3.5	36.45	250.0	290.0	10.82
24B-3	38.100	25.40	25.40	14.63	150.1	154.6	33.20	6.0/4.8	48.36	425.0	493.0	20.10
28B-3	44.450	27.94	30.99	15.90	184.2	188.7	36.70	7.5/6.0	59.56	530.0	609.5	24.92
32B-3	50.800	29.21	30.99	17.81	183.2	188.2	42.00	7.0/6.0	58.55	670.0	770.5	31.56
40B-3	63.500	39.37	38.10	22.89	226.8	233.8	52.96	8.5/8.0	72.29	950.0	1092.5	48.10
48B-3	76.200	48.26	45.72	29.24	281.6	289.4	63.80	12/10	91.21	1500.0	1710.0	75.00

*直鏈板
*Straight side plates

DIN ISO 鏈號 DIN ISO Chain No.	ANSI 鏈號 ANSI Chain No.	P	G	L	F	W	T	h ₄	d ₄
		mm	mm	mm	mm	mm	mm	mm	mm
08A	40	12.700	23.00	12.700	25.4	35.6	1.50	7.90	3.4
10A	50	15.875	28.80	15.875	31.8	46.8	2.03	10.30	5.5
12A	60	19.050	34.65	19.050	38.1	56.4	2.42	11.90	5.5
16A	80	25.400	45.90	25.400	50.8	73.2	3.25	15.90	6.8
20A	100	31.750	57.65	31.750	63.5	89.8	4.00	19.80	9.2
08B		12.700	24.00	12.700	25.4	36.4	1.60	8.90	4.3
10B		15.875	29.58	15.875	31.8	44.6	1.70	10.31	5.3
12B		19.050	34.05	19.050	38.1	52.4	1.85	13.46	6.4
16B		25.400	46.40	25.400	50.8	72.6	3.10	15.88	6.4

短節距輸送鏈附件

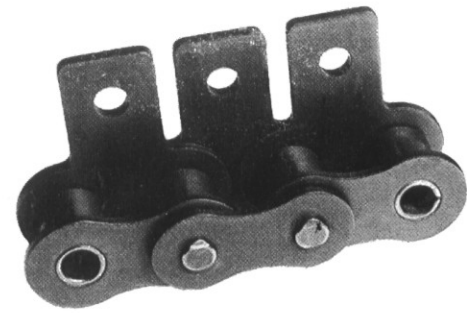
Short pitch conveyor chain attachments

短節距輸送鏈附件

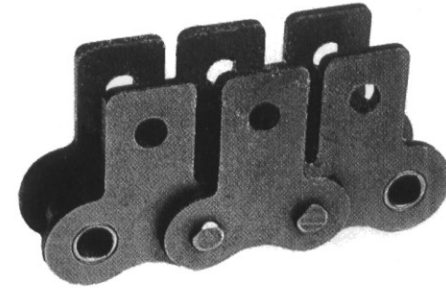
Short pitch conveyor chain attachments

鏈條系列 ROLLER CHAIN

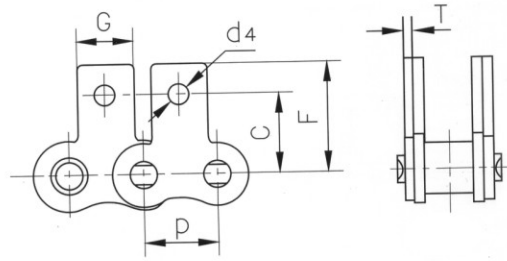
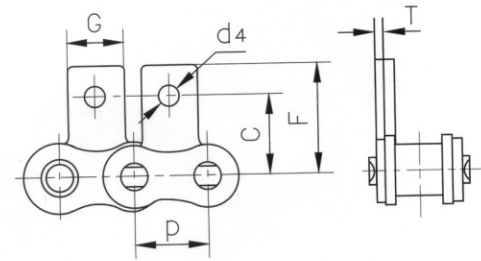
鏈條系列 ROLLER CHAIN



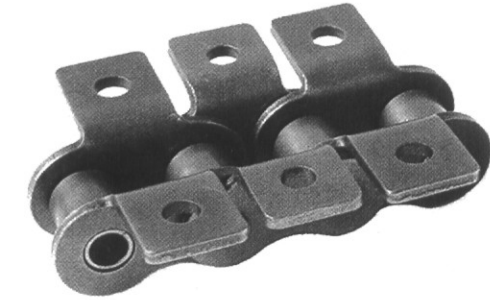
SA-1



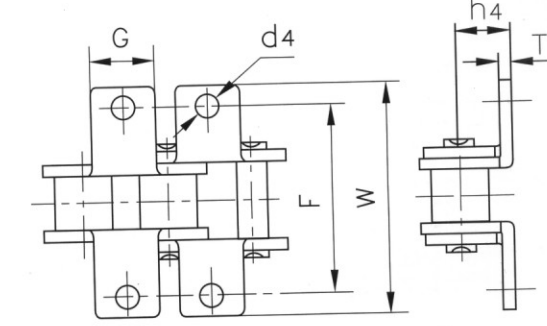
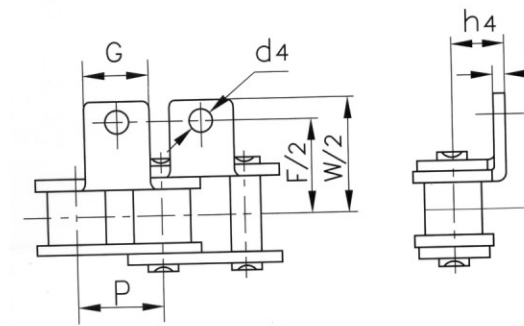
SK-1



A-1



K-1



DIN ISO 鏈號 DIN ISO Chain No.	ANSI 鏈號 ANSI Chain No.	P	G	C	F	T	d ₄
		mm	mm	mm	mm	mm	mm
08A	40	12.700	9.5	12.70	19.05	1.50	3.4
10A	50	15.875	12.7	15.90	25.25	2.03	5.5
12A	60	19.050	15.9	18.30	29.33	2.42	5.5
16A	80	25.400	19.1	24.60	34.70	3.25	6.8
20A	100	31.750	25.4	31.80	43.30	4.00	9.2
24A	120	38.100	28.6	36.50	51.60	4.80	9.8
28A	140	44.450	34.9	44.50	62.00	5.60	11.4
32A	160	50.800	38.1	50.80	69.85	6.40	13.1
*06B		9.525	8.0	9.52	13.50	1.30	3.5
08B		12.700	9.5	13.35	18.90	1.60	4.3
10B		15.875	14.3	16.50	22.95	1.70	5.3
12B		19.050	16.0	21.45	28.60	1.85	6.4
16B		25.400	19.1	23.15	34.00	3.10	6.4

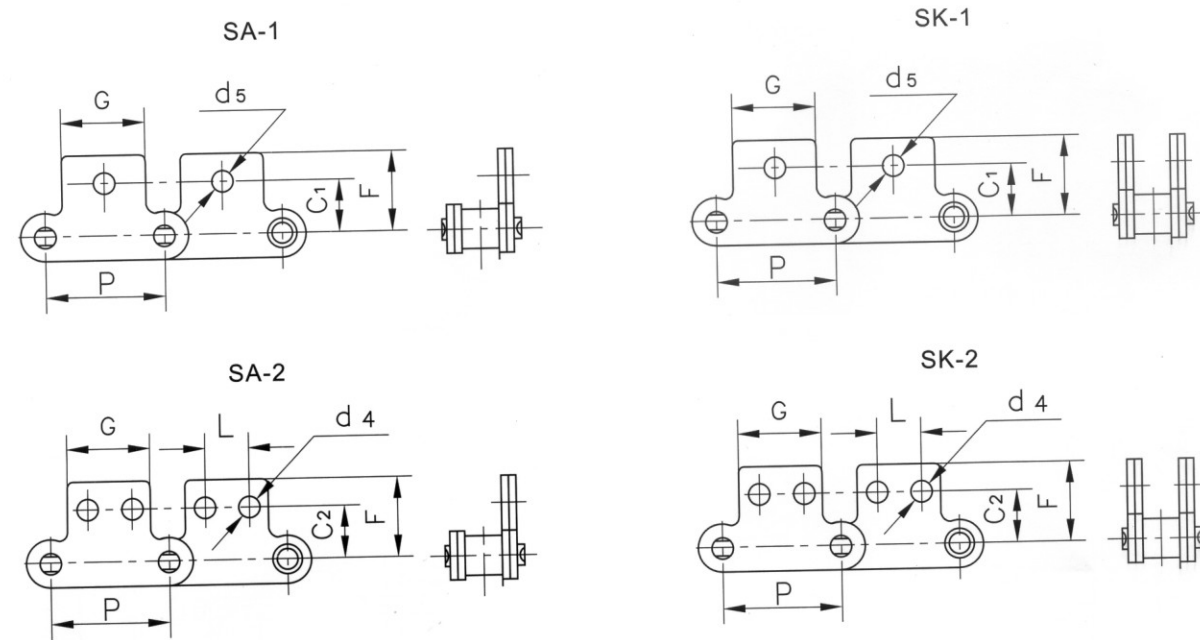
*直鏈板
*Straight side plates

DIN ISO 鏈號 DIN ISO Chain No.	ANSI 鏈號 ANSI Chain No.	P	G	F	W	T	h ₄	d ₄
		mm	mm	mm	mm	mm	mm	mm
08A	40	12.700	9.5	25.40	35.2	1.50	7.90	3.4
10A	50	15.875	12.7	31.75	46.2	2.03	10.30	5.5
12A	60	19.050	15.9	38.10	55.6	2.42	11.90	5.5
16A	80	25.400	19.1	50.80	64.8	3.25	15.90	6.8
20A	100	31.750	25.4	63.50	87.3	4.00	19.80	9.2
24A	120	38.100	28.6	76.20	108.5	4.80	23.00	9.8
28A	140	44.450	34.9	88.90	123.0	5.60	28.60	11.4
32A	160	50.800	38.1	101.60	142.8	6.40	31.80	13.1
*06B		9.525	8.0	19.04	27.0	1.30	6.50	3.5
08B		12.700	9.5	25.40	36.4	1.60	8.90	4.5
10B		15.875	14.3	31.75	44.6	1.70	10.31	5.3
12B		19.050	16.0	38.10	52.4	1.85	13.46	6.4
16B		25.400	19.1	50.80	72.6	3.10	15.88	6.4

*直鏈板
*Straight side plates

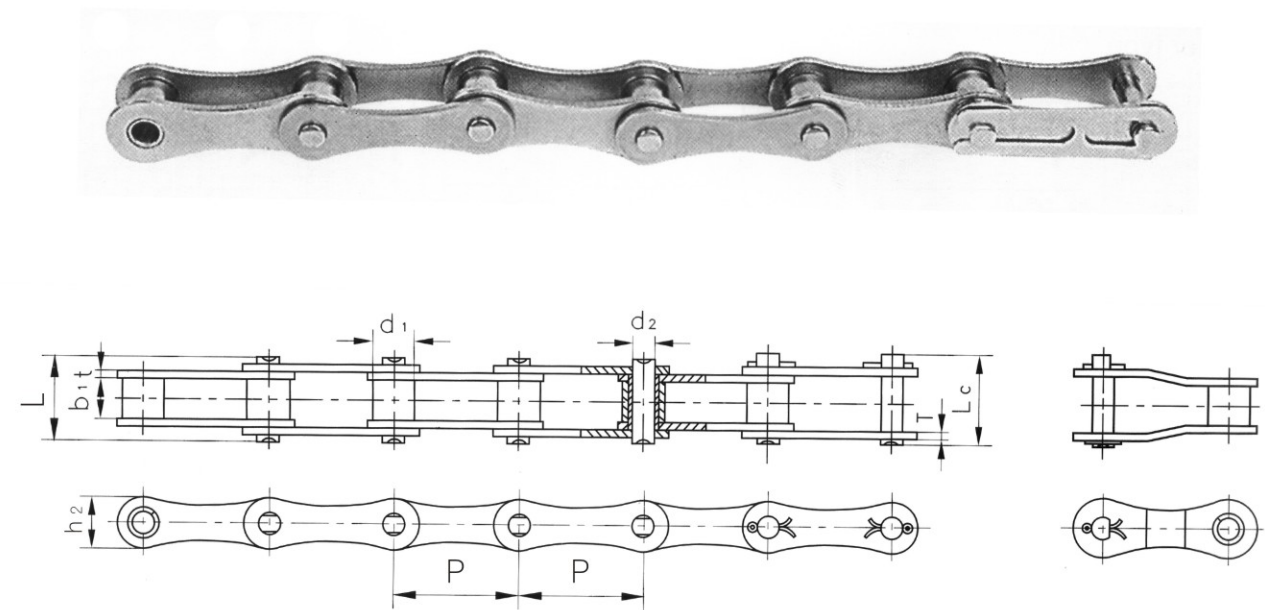
雙節距輸送鏈附件

Double pitch conveyor chain attachments



雙節距傳動鏈

Double pitch transmission chains



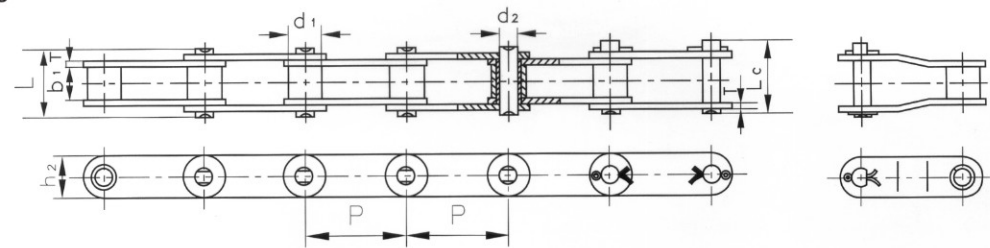
DIN ISO 鏈號 DIN ISO Chain No.	ANSI 鏈號 ANSI Chain No.	P	G	L	C ₁	C ₂	F	d ₄	d ₅
		mm	mm	mm	mm	mm	mm	mm	mm
C208A C208AL	C2040 C2042	25.40	19.1	9.5	11.1	13.5	20.5	3.4	5.5
C208B C208BL		25.40	23.2	12.7	11.1	13.5	20.5	4.5	5.5
C210A C210AL	C2050 C2052	31.75	23.8	11.9	14.3	15.9	25.0	5.5	6.6
C212A C212AL	C2060 C2062	38.10	28.6	14.3	17.5	19.1	32.9	5.5	9.2
C212AH C212AHL	C2060H C2062H	38.10	28.6	14.3	17.5	19.1	32.9	5.5	9.2
C216A C216AL	C2080 C2082	50.80	38.1	19.1	22.2	25.4	43.5	6.6	11.0
C216AH C216AHL	C2080H C2082H	50.80	38.1	19.1	22.2	25.4	43.5	6.6	11.0
C220A C220AL	C2100 C2102	63.50	47.6	23.8	28.6	31.8	50.4	8.4	13.0
C220AH C220AHL	C2100H C2102H	63.50	47.6	23.8	28.6	31.8	50.4	8.4	13.0

DIN ISO 鏈號 DIN ISO Chain No.	ANSI 鏈號 ANSI Chain No.	節距 Pitch	滾子直徑 Roller diameter	內節內寬 Width between inner plates	銷軸直徑 Pin diameter	銷軸長度 Pin length		內鏈板高度 Inner plate depth	鏈板厚度 Plate thickness	平均拉伸載荷 Average tensile strength	極限拉伸載荷 Ultimate tensile strength	每米長重 Weight per meter
		P	d ₁ max	b ₁ min	d ₂ max	L max	L _c max	h ₂ max	T max	Q min	Q ₀	q
		mm	mm	mm	mm	mm	mm	mm	mm	kN	kN	kg/m
208A	2040	25.40	7.95	7.85	3.96	16.6	17.8	12.0	1.50	14.1	16.7	0.42
208B		25.40	8.51	7.75	4.45	16.7	18.2	11.8	1.60	18.0	19.4	0.45
210A	2050	31.75	10.16	9.40	5.08	20.7	22.2	15.0	2.03	22.2	28.1	0.73
210B		31.75	10.16	9.65	5.08	19.5	20.9	14.7	1.70	22.4	27.5	0.65
212A	2060	38.10	11.91	12.57	5.94	25.9	27.7	18.0	2.42	31.8	36.8	1.02
212B		38.10	12.07	11.68	5.72	22.5	25.2	16.0	1.85	29.0	32.2	0.76
216A	2080	50.80	15.88	15.75	7.92	32.7	36.5	24.0	3.25	56.7	65.7	1.70
216AH		50.80	15.88	15.75	7.92	36.2	39.4	24.0	4.00	56.7	70.0	2.17
216B		50.80	15.88	17.02	8.28	36.1	39.1	21.0	4.15/3.1	60.0	72.8	1.75
220A	2100	63.50	19.05	18.90	9.53	40.4	44.7	30.0	4.00	88.5	102.6	2.55
220B		63.50	19.05	19.56	10.19	41.3	45.0	26.4	4.5/3.5	95.0	106.7	2.62
224A	2120	76.20	22.23	25.22	11.10	50.3	54.3	35.7	4.80	127.0	147.3	4.06
224B		76.20	25.40	25.4	14.63	53.4	57.8	33.2	6.0/4.8	160.0	178.0	4.70
228B		88.90	27.94	30.99	15.90	65.1	69.5	36.7	7.5/6.0	200.0	222.0	6.23
232B		101.60	29.21	30.99	17.81	66.0	71.0	42.0	7.0/6.0	250.0	277.5	6.72

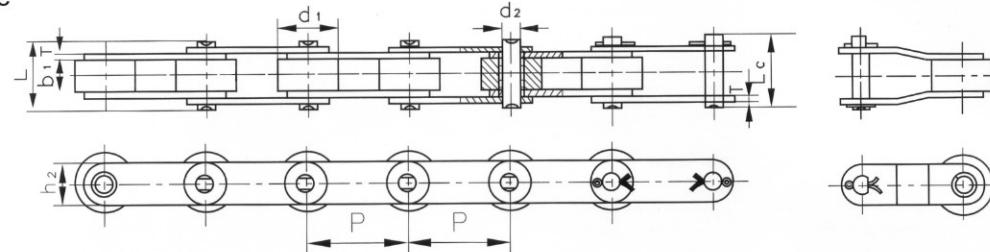
雙節距輸送鏈

Double pitch conveyor chains

小滾子型
Small roller type

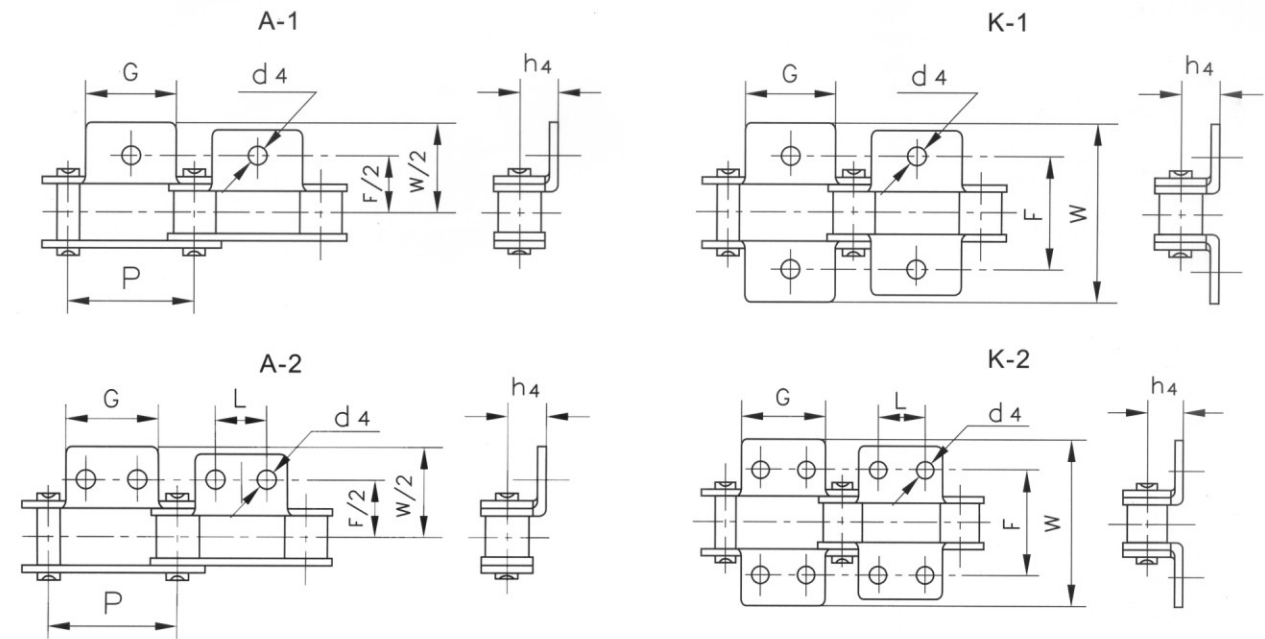


大滾子型
Large roller type



雙節距輸送鏈附件

Double pitch conveyor chain attachments

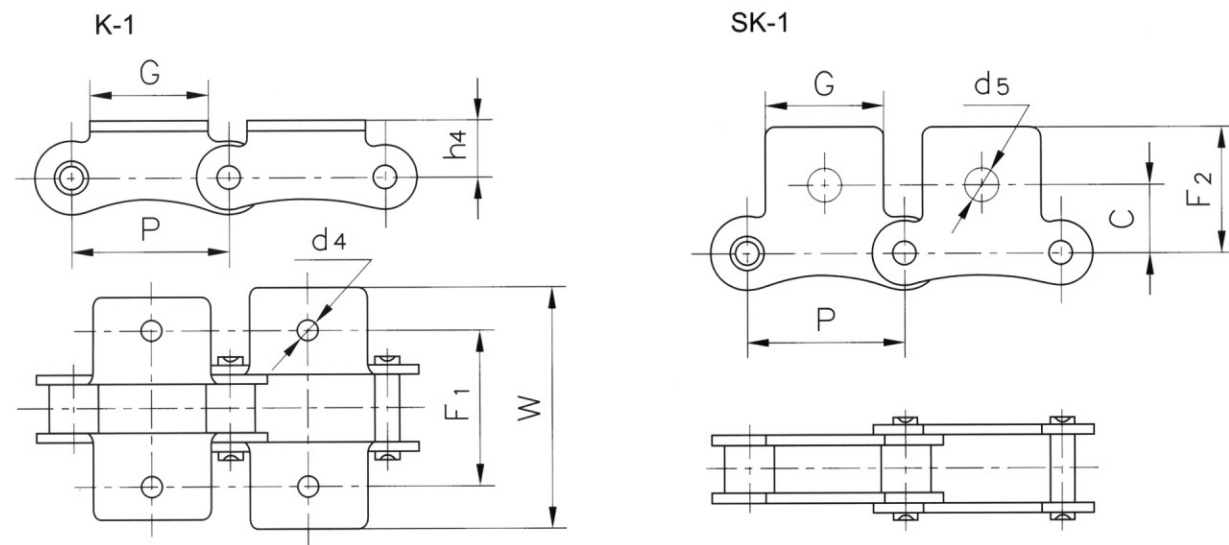
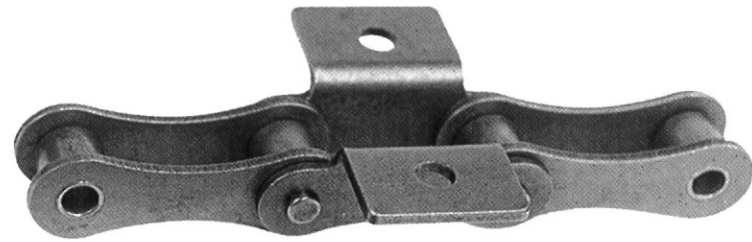


DIN ISO 鏈號 DIN ISO Chain No.	ANSI 鏈號 ANSI Chain No.	節距 Pitch	滾子直徑 Roller diameter	內節內寬 Width between inner plates	銷軸直徑 Pin diameter	銷軸長度 Pin length		內鏈板高度 Inner plate depth	鏈板厚度 Plate thickness	平均拉伸載荷 Average tensile strength	極限拉伸載荷 Ultimate tensile strength	每米長重 Weight per meter
						L max	Lc max					
		P	d1 max	b1 min	d2 max	L max	Lc max	h2 max	T max	Q min	Q0	q
		mm	mm	mm	mm	mm	mm	mm	mm	kN	kN	kg/m
C208A C208AL	C2040 C2042	25.40	7.95 15.88	7.85	3.96	16.6	17.8	12.0	1.50	14.1	16.7	0.50 0.84
C208AH	C2040H	25.40	7.95	7.85	3.96	18.8	19.9	12.0	2.03	14.1	17.2	0.65
C208B C208BL		25.40	8.51 15.88	7.75	4.45	16.7	18.2	11.8	1.60	18.0	19.4	0.55 0.89
C210A C210AL	C2050 C2052	31.75	10.16 19.05	9.40	5.08	20.7	22.2	15.0	2.03	22.2	28.1	0.78 1.27
C212A C212AL	C2060 C2062	38.10	11.91 22.23	12.57	5.94	25.9	27.7	18.0	2.42	31.8	36.8	1.12 1.61
C212AH C212AHL	C2060H C2062H	38.10	11.91 22.23	12.57	5.94	29.2	31.6	18.0	3.25	31.8	41.6	1.44 2.07
C216A C216AL	C2080 C2082	50.80	15.88 28.58	15.75	7.92	32.7	36.5	24.0	3.25	56.7	65.7	2.08 3.12
C216AH C216AHL	C2080H C2082H	50.80	15.88 28.58	15.75	7.92	36.2	39.4	24.4	4.00	56.7	70.0	2.54 3.58
C220A C220AL	C2100 C2102	63.50	19.05 39.67	18.90	9.53	40.4	44.7	30.0	4.00	88.5	102.6	3.01 4.83
C220AH C220AHL	C2100H C2102H	63.50	19.05 39.67	18.90	9.53	43.6	46.9	30.0	4.80	88.5	112.4	3.56 5.38
C224A C224AL	C2120 C2122	76.20	22.23 44.45	25.22	11.10	50.3	54.3	35.7	4.80	127.0	147.3	4.66 7.66
C224AH C224AHL	C2120H C2122H	76.20	22.230 44.450	25.22	11.10	53.5	57.5	35.7	5.60	127.0	160.9	5.26 8.26
C232A C232AL	C2160 C2162	101.60	28.58 57.15	31.75	14.27	64.8	69.6	47.8	6.40	226.8	278.9	8.23 11.95
C232AH C232AHL	C2160H C2162H	101.60	28.58 57.15	31.75	14.27	68.2	73.0	47.8	7.20	226.8	285.8	9.06 12.77

DIN ISO 鏈號 DIN ISO Chain No.	ANSI 鏈號 ANSI Chain No.	P	G	L	F	W	H4	d4
		mm	mm	mm	mm	mm	mm	mm
C208A C208AL	C2040 C2042	25.4	19.10	9.5	25.4	39.6	9.1	3.4
C208B C208BL		25.4	23.20	12.7	25.4	39.6	9.1	4.5
C210A C210AL	C2050 C2052	31.75	23.80	11.9	31.8	49.0	11.1	5.5
C212A C212AL	C2060 C2062	38.1	28.60	14.3	42.9	67.8	14.7	5.5
C212AH C212AHL	C2060H C2062H	38.1	28.60	14.3	42.9	67.8	14.7	5.5
C216A C216AL	C2080 C2082	50.8	38.10	19.1	55.6	87.8	19.1	6.8
C216AH C216AHL	C2080H C2082H	50.8	38.10	19.1	55.6	87.8	19.1	6.8
C220A C220AL	C2100 C2102	63.5	47.60	23.8	66.6	107.5	23.4	9.2
C220AH C220AHL	C2100H C2102H	63.5	47.60	23.8	66.6	107.5	23.4	9.2
C224A C224AL	C2120 C2122	76.2	57.20	28.6	79.3	121.4	27.8	11.0
C224AH C224AHL	C2120H C2122H	76.2	57.20	28.6	79.3	121.4	27.8	11.0
C232A C232AL	C2160 C2162	101.6	76.20	38.1	104.7	151.6	36.5	13.1
C232AH C232AHL	C2160H C2162H	101.6	76.20	38.1	104.7	151.6	36.5	13.1

雙節距傳動鏈附件

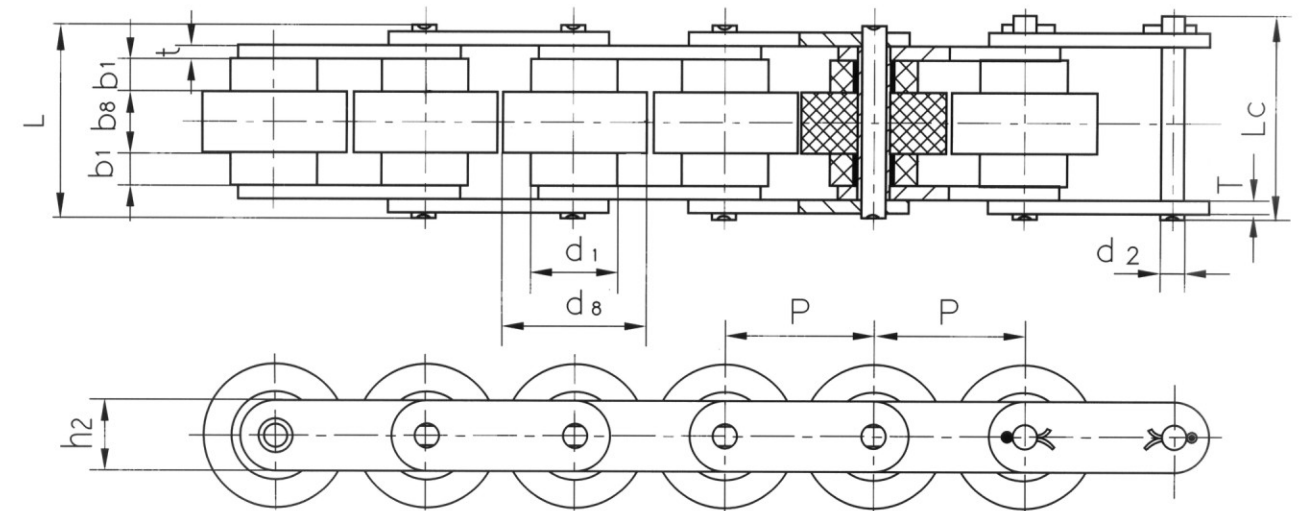
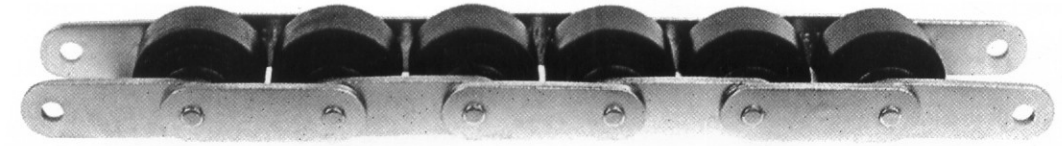
Double pitch transmission chain attachments



DIN ISO 鏈號 DIN ISO Chain No.	ANSI 鏈號 ANSI Chain No.	P	G	F ₁	W	h ₄	d ₄	C	F ₂	d ₅
		mm	mm	mm	mm	mm	mm	mm	mm	mm
208A	2040	25.40	19.1	25.4	39.6	9.1	3.4	11.1	20.5	5.5
210A	2050	31.75	23.8	31.8	49.0	11.1	5.5	14.3	25.0	6.6
212A	2060	38.10	28.6	42.9	67.8	14.7	5.5	17.5	32.9	9.2
216A	2080	50.80	38.1	55.6	87.8	19.1	6.8	22.2	43.5	11.0
220A	2100	63.50	47.6	66.6	107.5	23.4	9.2	28.6	50.4	13.0
224A	2120	76.20	57.2	79.3	127.5	27.8	11.0			

倍速鏈

Double plus chains



JB 鏈號 JB Chain No.	鏈號 Chain No.	節距 Pitch	滾子尺寸 Roller dimensions				銷軸尺寸 Pin dimensions			鏈板尺寸 Plate dimensions			每米長重 Weight per meter	
			P	d ₁ max	d ₈ max	b ₁ min	b ₈ min	d ₂ max	L max	L _c max	h ₂ max	T max		t max
		mm	mm	mm	mm	mm	mm	mm	mm	mm	mm	mm	mm	kg/m
BS25-C206B	C2030W	19.05	11.91	18.3	4.00	8.00	3.28	24.0	25.6	8.20	1.30	1.5	0.52	
BS25-C208A	C2040W	25.40	15.88	24.6	5.70	10.30	3.96	31.0	32.8	11.70	1.50	1.5	0.79	
BS25-C210A	C2050W	31.75	19.05	30.6	7.10	13.00	5.08	39.5	41.2	15.00	2.03	2.03	1.36	
BS25-C212A	C2060W	38.10	22.23	36.6	8.50	15.50	5.94	48.8	50.5	18.00	3.25	3.25	2.19	
BS25-C216A	C2080W	50.80	28.58	49.0	11.00	21.50	7.92	66.2	70.0	24.00	4.00	5.00	4.06	
BS30-C206B		19.05	9.00	18.3	4.50	9.10	3.28	26.3	29.6	7.28	1.30	1.50	0.5	
BS30-C208A		25.40	11.91	24.6	6.10	12.50	3.96	35.6	39.5	9.60	1.50	2.00	0.83	
BS30-C210A		31.75	14.80	30.6	7.50	15.00	5.08	43.0	47.1	12.20	2.00	2.40	1.27	
BS30-C212A		38.10	18.00	37.0	9.75	20.00	5.94	58.1	62.7	15.00	3.00	4.00	2.14	
BS30-C216A		50.80	22.23	49.0	12.00	25.20	7.92	71.9	77.3	18.60	4.00	5.00	3.55	

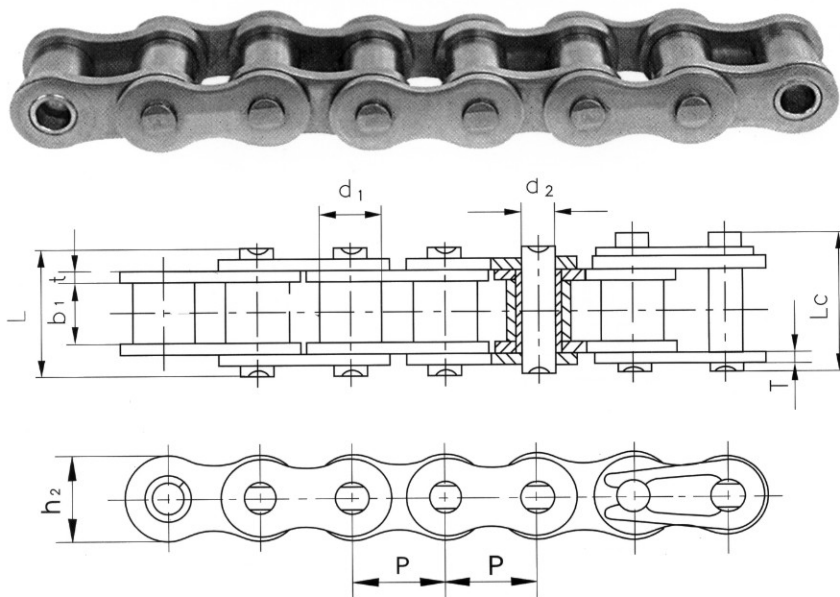
鏈條系列 ROLLER CHAIN

鏈條系列 ROLLER CHAIN

不銹鋼鏈

Stainless steel chains

不銹鋼鏈條適合在易受食品、化學、藥品等侵蝕場合使用,還可用于高低溫場合。
Stainless steel chains are suitable for corrosive conditions involving food, chemicals, pharmaceuticals, etc. also suitable for high and low temperature conditions.



鏈號 Chain No.	節距 Pitch	滾子直徑 Roller diameter	內節內寬 Width between inner plates	銷軸直徑 Pin diameter	銷軸長度 Pin length		內鏈板高度 Inner plate depth	鏈板厚度 Plate thickness	平均拉伸載荷 Average tensile strength	極限拉伸載荷 Ultimate tensile strength	每米長重 Weight per meter
	P	d ₁ max	b ₁ min	d ₂ max	L max	L _c max	h ₂ max	t/T max	Q min	Q ₀	q
	mm	mm	mm	mm	mm	mm	mm	mm	kN	kN	kg/m
*35SS	9.525	5.08	4.77	3.58	12.4	13.17	9.00	1.30	5.5	6.6	0.33
40SS	12.700	7.95	7.85	3.96	16.6	17.8	12.00	1.50	9.6	10.8	0.63
50SS	15.875	10.16	9.40	5.08	20.7	22.2	15.09	2.03	15.2	17.2	1.03
60SS	19.050	11.91	12.57	5.94	25.9	27.7	18.00	2.42	21.7	26.4	1.51
80SS	25.400	15.88	15.75	7.92	32.7	35.0	24.00	3.25	38.9	46.6	2.62
100SS	31.750	19.05	18.90	9.53	40.4	44.7	30.00	4.00	60.0	70.2	3.94
04BSS	6.000	4.00	2.80	1.85	6.80	7.8	5.00	0.60	2.0	2.4	0.11
05BSS	8.000	5.00	3.00	2.31	8.20	8.9	7.10	0.80	3.5	4.1	0.20
#06BSS	9.525	6.35	5.72	3.28	13.15	14.1	8.20	1.30	6.2	6.8	0.41
08BSS	12.700	8.51	7.75	4.45	16.7	18.2	11.80	1.60	12.0	14.3	0.70
10BSS	15.875	10.16	9.65	5.08	19.5	20.9	14.70	1.70	14.5	17.2	0.94
12BSS	19.050	12.07	11.68	5.72	22.5	24.2	16.00	1.85	18.5	20.9	1.16
16BSS	25.400	15.88	17.02	8.28	36.1	37.4	21.00	4.15/3.1	40.0	47.6	2.73
20BSS	31.750	19.05	19.56	10.19	41.3	45.0	26.40	4.5/3.5	59.0	69.6	3.73

*套筒鏈: 表中滾子直徑d₁為套筒直徑。

*Bushing chain: d₁ in the table indicate the external diameter of the bushing.

#直鏈板

#Straight side plates

®STI 高品質鏈輪

HIGH QUALITY SPROCKET

